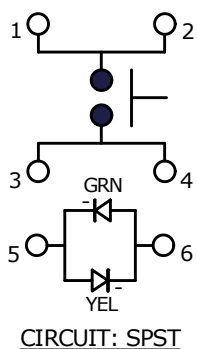
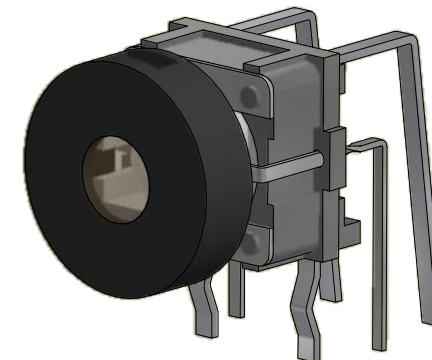
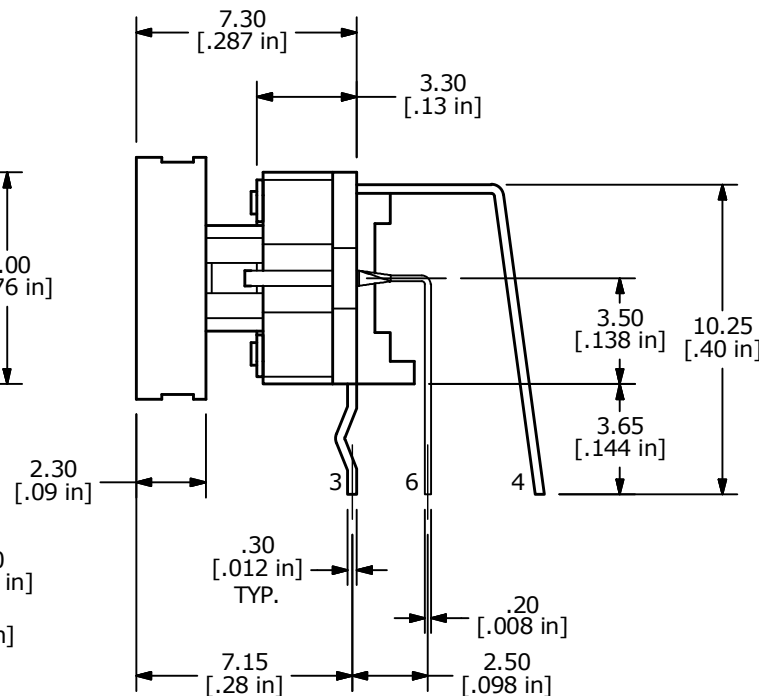
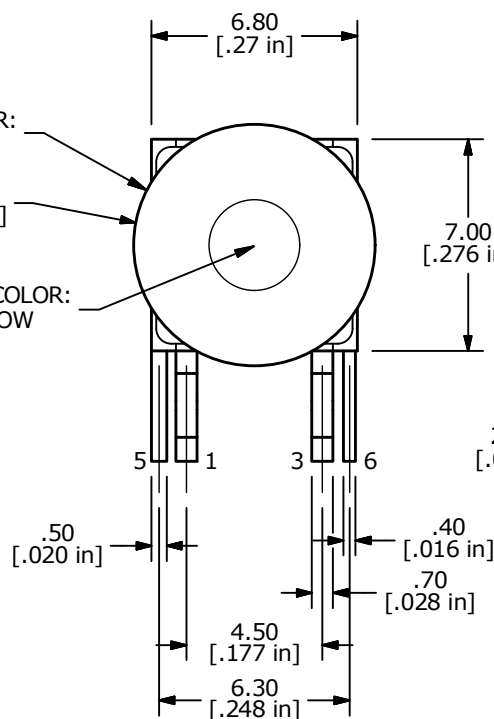


LED SPECS	UNITS	Ultra GREEN	Ultra YELLOW
FORWARD CURRENT	mA	10mA	10mA
FORWARD VOLTAGE	V	2.0 typ. -2.5 Max.	1.95 typ. -2.5 Max.
LUMINOUS INTENSITY	MCD	10 typ.	800 typ.



▲ CAP COLOR: BLACK  
 Ø8.15 [.321 in]  
 ▲ ILLUMINATION COLOR: GREEN/YELLOW



- NOTES:
- ALL DIMENSIONS IN MM [INCH]
  - GENERAL TOLERANCE: X.X = ±0.4  
X.XX = ±0.25
  - RATING: 12VDC @ 50mA
  - CONTACT RESISTANCE: 100mΩ MAX.
  - INSULATION RESISTANCE: 100MΩ MIN.
  - ▲ 6. OPERATING FORCE: 160± 50gf
  7. TRAVEL: 0.2± 0.1mm
  8. OPERATING TEMP: -40°C to 85°C
  9. OPERATING LIFE: 500,000 CYCLES
  - ▲ 10. LED COLOR: ULTRA GREEN/ULTRA YELLOW
  - ▲ 11. CAP COLOR: BLACK
  12. ▲ DENOTES CRITICAL PARAMETER
  13. PACKAGING: 100 PIECES PER TRAY

REV	PCR NO	DESCRIPTION	DATE	BY
F	24183	update LED specs	2/13/20	MW
E	21664	ADDED NOTE 14	10/23/14	AS
D	19956	CORRECT NOTES / LED CHART / DIM	05/23/11	BMA
C	19542	UPDATE DRAWING	12/21/10	BGL
B	16310	CORRECTED CIRCUIT DIAGRAM	8/15/06	BO



TITLE TL1260GYQRBLK (Ultra Green/Ultra Yellow)				
SCALE 4:1	DATE 8/11/2006	DR BO	DWG B200008	REV F